

## 02-30 Magnetic Catch

Pull-to-open · Adhesive

### Features

- Adhesive installation

### Material

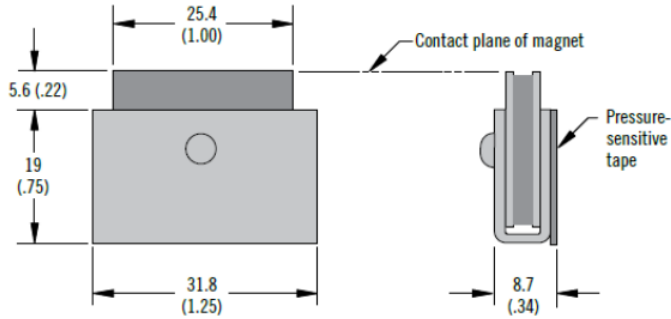
- Housing: Aluminium, natural
- Pole pieces: Steel, zinc plated
- Magnet: Barium ferrite

### Product Performance

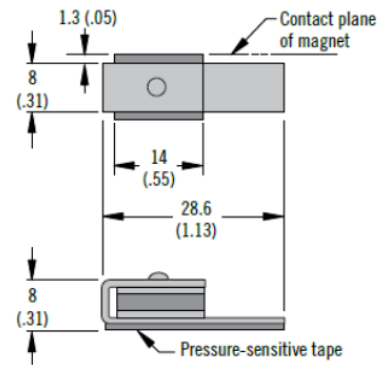
- Operating temperature range: -30 °C to 115 °C
- Flammability rating UL94-HB
- Average breakaway force:
  - 100 series: 46 N
  - 200 series: 64 N
  - 300 series: 8 N



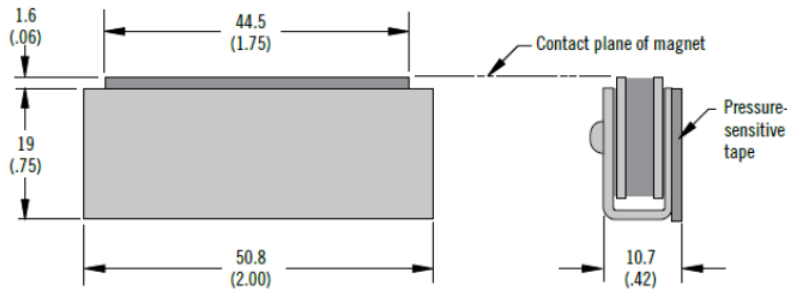
### Series 100



### Series 300



### Series 200

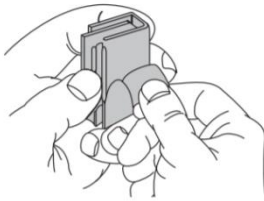


### Notes

For non-ferrous applications, screw-mounted and adhesive backed strikes are available (sold separately)

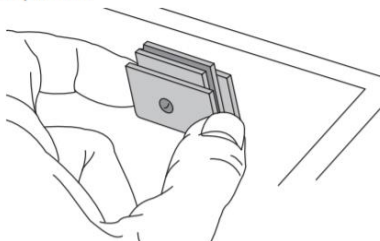
### Installation

1. Remove protective paper



Notes: Be sure the mounting surface is clean and capable of retaining a satisfactory adhesive bond

2. Place in position



Series	Magnet Part Number
100	02-30-121-10
200	02-30-221-10
300	02-30-321-10

## 02 Magnetic Catch

### Steel strikes

#### Features

- Ferrous keepers for magnet catch
- Self-adhesive or screw mount

#### Material

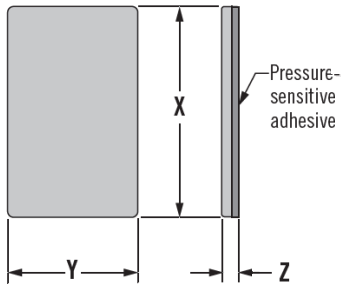
- Steel, zinc plated
- Adhesive: Neoprene foam with acrylic



#### Installation Notes

- Be sure the mounting surface is clean and capable of retaining a satisfactory adhesive bond.
- Self-adhesive mounted strikes are designed to function under intermittent break-away loads. Use screw-mounted strikes for continuous load applications

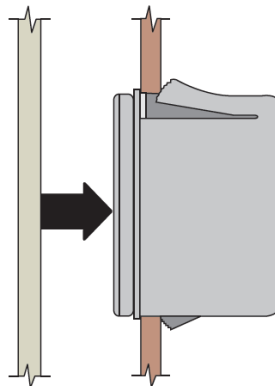
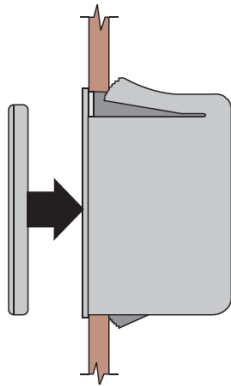
#### Self-adhesive



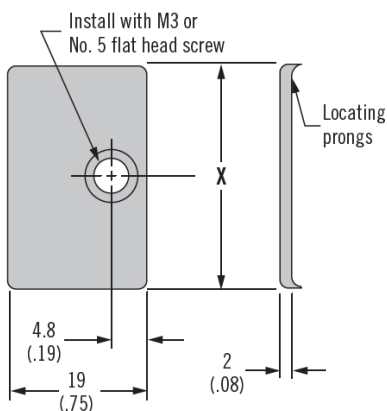
For Use with Series Catch	Strike Part Number	X	Y	Z
300	02-14-301-14	24	8	2
400		(.94)	(.31)	(.08)
100	02-14-101-14	32	19	2.4
600		(1.25)	(.75)	(.094)
200	02-14-201-14	51	19	2.4
800		(2.00)	(.75)	(.094)

#### Installation

1. Position strike on installed catch
2. Remove protective paper. Close door or panel onto strike



#### Screw-Mounted



For Use With Series Catch	Strike Part Number	X
100	02-14-102-11	32 (1.25)
600		
200	02-14-202-11	51 (2.00)
800		